



~High Efficiency~ Servo Gear Motor

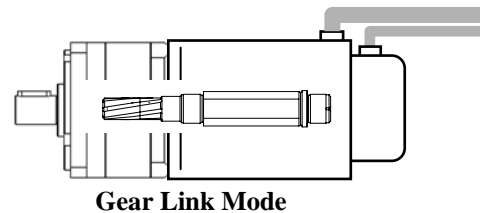
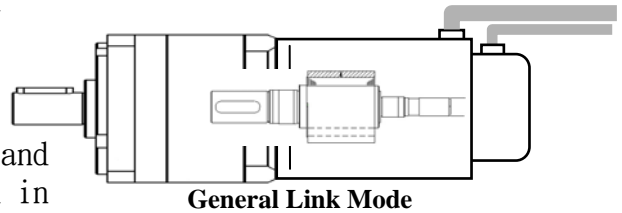
Applicable to the use of high torque and low speed replacing traditional deceleration devices.

Applications :

Medical、PCB cleaning process、Robots and other automated equipment, commonly used in high torque and low speed.

Benefits:

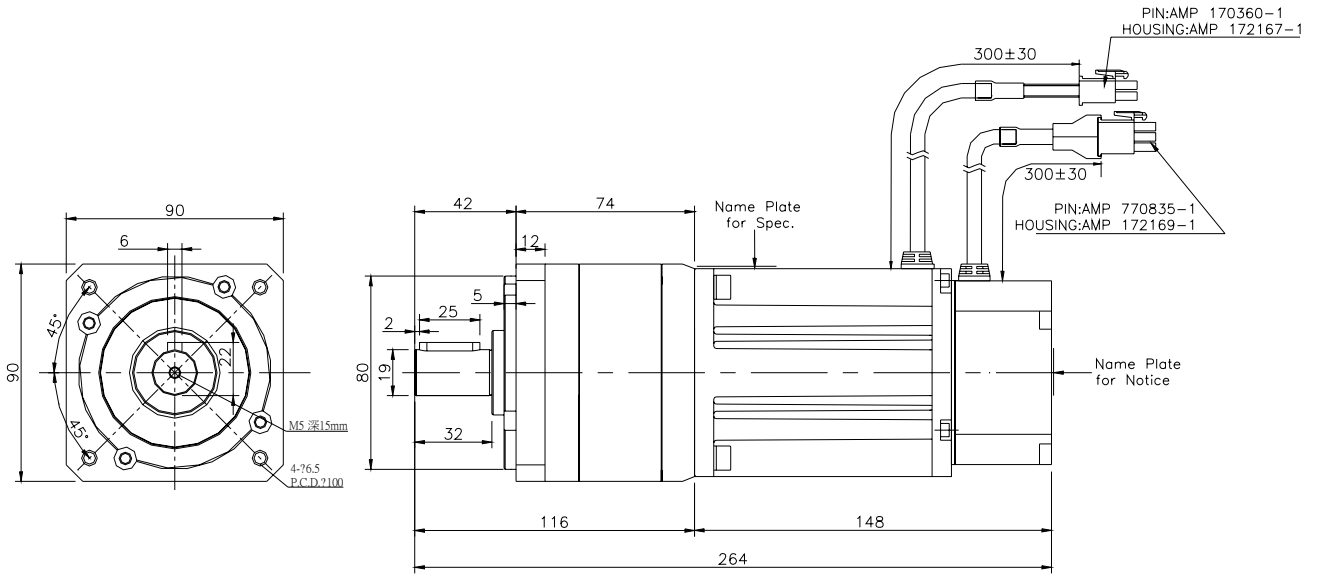
- Volume saving、Light weight.
- Low Speed、High Torque.
- High efficiency planetary reducer、
- Precise position control can be done.



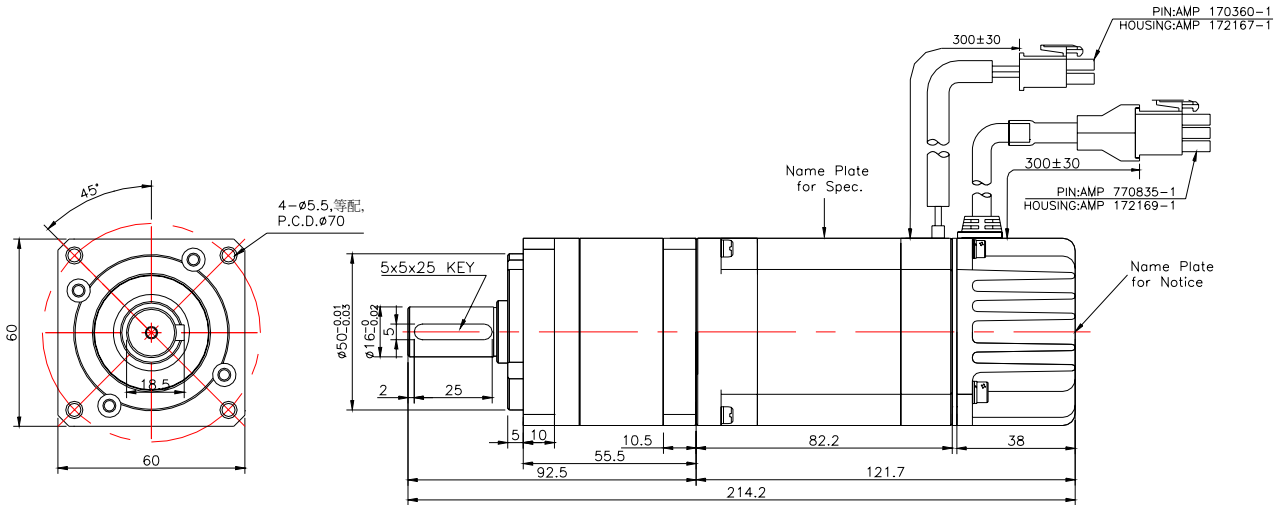
Item	Model(#Frame)	#60 Gear Motor		#90 Gear Motor
		TSC06, 6cc (small)		TSB08
Rated Power (W)		400		750
Rated Torque (N-M)		12.0		22.7
Max Peak Torque (N-M)		36.0		68.1
Rated Current (A)		3.5		3.4
Rated Speed (rpm)		* 300		* 300
Backlash (arcmin)		15		15
Noise (dB)		<65		<65
Encoder Resolution (Encoder)		2500P/R 8192P/R	2000P/R 2500P/R	2500P/R 8192P/R
Permissible Radial Load (Max. Radial)		724N(74kg)		1810N(185kg)
Permissible Axial Load (Max. Axial)		362N(37kg)		905N(92.5kg)
Driver Set (TSTA Series)		TSTA20C		

*To customize motors, please contact with us or our agent. (1000rpm)(600rpm)

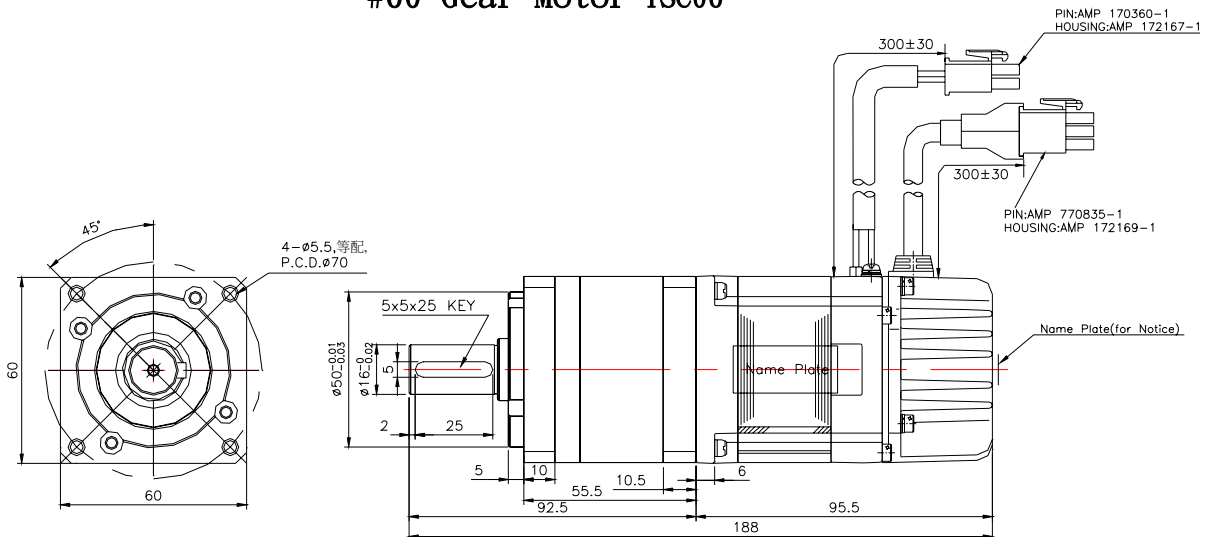




#90 Gear Motor TSB08



#60 Gear Motor TSC06



#60 Gear Motor 6CC (small size)