


2017 Line Scan Illumination

LSN5 SERIES


LSN5 series consist of a lens that converges the light from an array of LED providing an intense line illumination.

LSNL SERIES

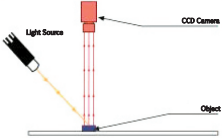
LSNL series is a compact and low cost line illumination which consist of a lens that converges the light from an array of LED. Suitable for wide range of application.

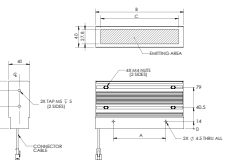


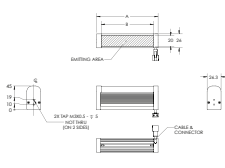
LSN5 SERIES



LSNL SERIES







Technical Specification:

- Color Red, Green, Blue and White
- 24V Dc Input Power
- Continuous and Strobe Applications
- Compact Size
- Lighting Cable 500mm

Customize Lighting:

- Customize Sizes, Mounting requirements
- Color and Voltage Available
- Consult Technical Sales for More Information

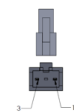
Model	Dimensions (MM)			Color	Voltage / Watt	Current	Weight (g)
	A	B	C				
LSN5-00-75-1-X	75	94.0	74.0	○	24V / 12W	500mA	405
LSN5-00-150-1-X	100	168.0	148.0	○	24V / 24W	1000mA	720
LSN5-00-225-1-X	160	242.0	222.0	○	24V / 36W	1500mA	980
LSN5-00-300-1-X	240	316.0	296.0	○	24V / 48W	2000mA	1220

Model	Dimensions (MM)		Color	Voltage / Watt	Current	Weight (g)
	A	B				
LSNL-00-075X20-1-X	90.8	74	● ● ● ○	24V / 2.40W	100mA	160
			● ● ● ○	24V / 2.40W	100mA	
LSNL-00-150X20-1-X	165.8	149	● ● ● ○	24V / 4.80W	200mA	245
			● ● ● ○	24V / 4.80W	200mA	
LSNL-00-225X20-1-X	240.8	224	● ● ● ○	24V / 7.20W	300mA	335
			● ● ● ○	24V / 7.20W	300mA	
LSNL-00-300X20-1-X	315.8	299	● ● ● ○	24V / 9.60W	400mA	425
			● ● ● ○	24V / 9.60W	400mA	

Remarks: LSN4 part numbers are changed to LSN5

Optional Connector


Standard Lighting Male Connector



PIN 1	24V
PIN 2	-
PIN 3	GND

M8 Male Connector


M8 Pin Assignment



PIN 1	-	-
PIN 2	RED	24V
PIN 3	-	-
PIN 4	BLACK	GND

M12 Male Connector

M12 Pin Assignment



PIN 1	BROWN	24V
PIN 2	WHITE	-
PIN 3	BLUE	GND
PIN 4	BLACK	-
PIN 5	GRAY	-

Product Part Numbering System :
LSNL-00-075X20-1-X-24V-M8

Product Part Numbering System :
LSNL-00-075X20-1-X-24V-M12