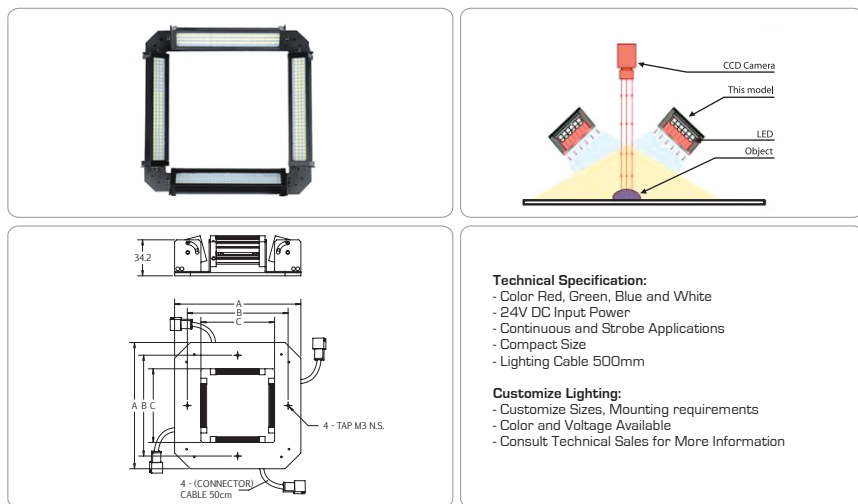


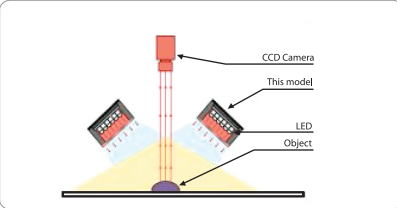
2017 Direct Illumination

LBRQ 3 row SERIES – High Density, Multiple Rectangular Illuminations

LBRQ 3 row series are combination of 4 LBRX LED arrays. Each array angle can be adjusted for different height application.

Application: lead inspection, character inspection, code recognition.





Technical Specification:

- Color Red, Green, Blue and White
- 24V DC Input Power
- Continuous and Strobe Applications
- Compact Size
- Lighting Cable 500mm

Customize Lighting:

- Customize Sizes, Mounting requirements
- Color and Voltage Available
- Consult Technical Sales for More Information

Model	Dimensions (MM)			Color	Voltage / Watt		Current	RGB Color	Voltage / Watt		Current	Weight (g)
	A	B	C									
LBRQ-00-040-3-X	120.0	95.8	70.0	• R • G • B IR 850 UV 365	24V / 3.17W	132mA	• R • G • B	24V / 7.20W	300mA	385		
					24V / 4.03W	168mA						
					24V / 4.32W	180mA						
					24V / 4.80W	200mA						
LBRQ-00-080-3-X	160.0	135.8	110.0	• R • G • B IR 850 UV 365	24V / 6.34W	264mA	• R • G • B	24V / 14.40W	600mA	510		
					24V / 8.06W	336mA						
					24V / 8.64W	360mA						
					24V / 9.60W	400mA						
LBRQ-00-120-3-X	200.0	175.8	150.0	• R • G • B IR 850 UV 365	24V / 9.50W	396mA	• R • G • B	24V / 21.60W	900mA	595		
					24V / 12.10W	504mA						
					24V / 12.96W	540mA						
					24V / 14.40W	600mA						
LBRQ-00-160-3-X	240.0	215.8	190.0	• R • G • B IR 850 UV 365	24V / 12.67W	528mA	• R • G • B	24V / 28.80W	1200mA	740		
					24V / 16.13W	672mA						
					24V / 17.28W	720mA						
					24V / 19.20W	800mA						
LBRQ-00-200-3-X	280.0	255.8	230.0	• R • G • B IR 850 UV 365	24V / 15.84W	660mA	• R • G • B	24V / 36.00W	1500mA	900		
					24V / 20.16W	840mA						
					24V / 21.60W	900mA						
					24V / 24.00W	1000mA						

Remarks: LBRQ 3 row series can cascade (Single colour / RGB) able to customize to maximum length 480mm

2017 Direct Illumination

LBRQ 3 row Series – Available with Optional Items

Optional Diffuser

Diffuser can be added to LBRQ 3 row Series for more even light distribution. Diffuser Help to reduce shine from glossy application and produce lighting softer, more beautiful and more shadow-free. It is also able to improve the evenness of lighting. The thickness of diffuser is 2mm.



DIFFUSER

LBRQ-00-200-3-DIFFUSER

LBRQ-00-160-3-DIFFUSER

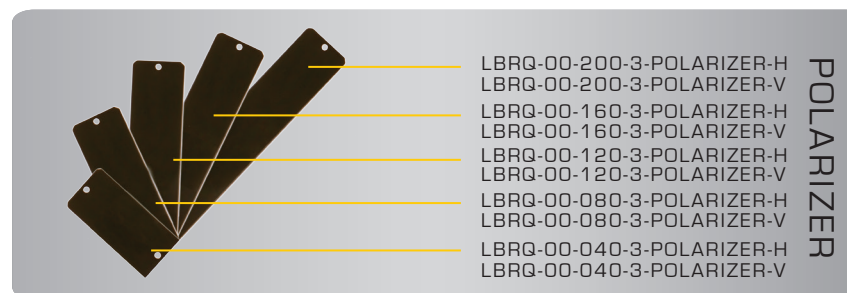
LBRQ-00-120-3-DIFFUSER

LBRQ-00-080-3-DIFFUSER

LBRQ-00-040-3-DIFFUSER

Optional Polarizer

There are two models of polarizer available. Please select a model with either vertical (V) or horizontal (H) functionality. Polarizer ensure the maximum extinction of unwanted glare and absorbed harsh reflection to provide better performance. The thickness of polarizer is 0.8 mm. 2 sets of polarizer V and H are applicable for LBRQ series.



POLARIZER

LBRQ-00-200-3-POLARIZER-H

LBRQ-00-200-3-POLARIZER-V

LBRQ-00-160-3-POLARIZER-H

LBRQ-00-160-3-POLARIZER-V

LBRQ-00-120-3-POLARIZER-H

LBRQ-00-120-3-POLARIZER-V

LBRQ-00-080-3-POLARIZER-H

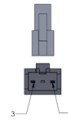
LBRQ-00-080-3-POLARIZER-V

LBRQ-00-040-3-POLARIZER-H

LBRQ-00-040-3-POLARIZER-V

Optional Connector


Standard Lighting Male Connector



PIN 1	24V
PIN 2	-
PIN 3	GND

M8 Male Connector


M8 Pin Assignment



PIN 1	-	-
PIN 2	RED	24V
PIN 3	-	-
PIN 4	BLACK	GND

M12 Male Connector

M12 Pin Assignment



PIN 1	BROWN	24V
PIN 2	WHITE	-
PIN 3	BLUE	GND
PIN 4	BLACK	-
PIN 5	GRAY	-

Product Part Numbering System :
LBRQ-00-040-3-X-24V-M8

Product Part Numbering System :
LBRQ-00-040-3-X-24V-M12