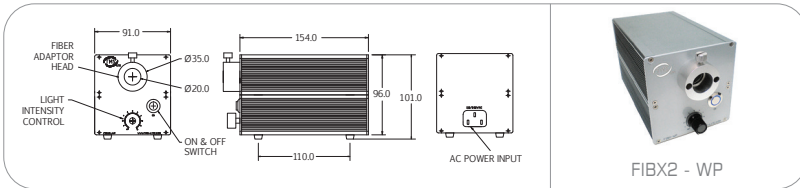


2017 Spot Light Illumination

FIBX2 SERIES - LED Fiber Light Module

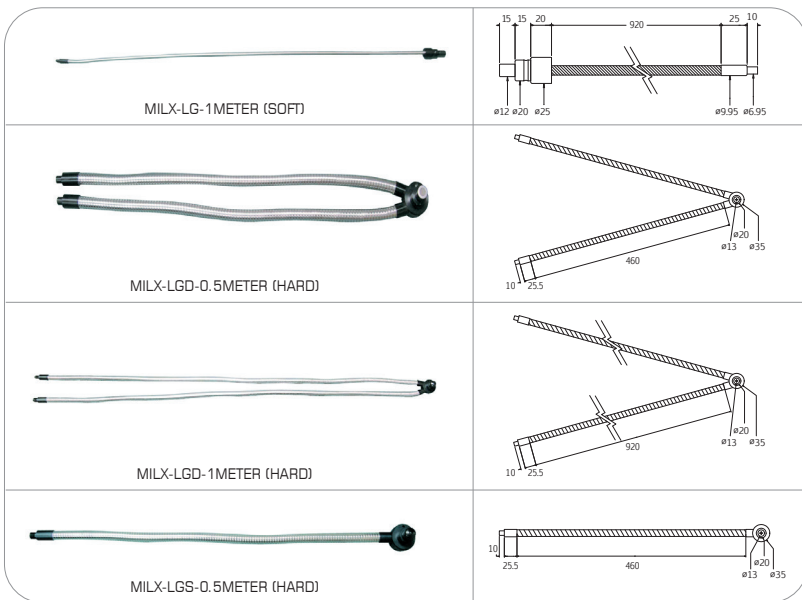
FIBX2 series is an integrated HBF Series (Spot Light) and Controller. The integrated form provides easy installation and suitable for fiber optic illumination.



Model	Power Consumption	Input Voltage	Color	Weight (g)
FIBX2-WP	7WATT	110 ~ 240VAC	o	1100

LIGHT GUIDE

Light guide is fiber optic for LED Fiber light module (FIBX2).



Model	Length(M)	Flexibility
MILX-LG-X	1.0	SOFT
MILX-LGD-X	0.5	HARD
MILX-LGD-X	1.0	HARD
MILX-LGS-X	0.5	HARD

Remark: Add new model MILX (LIGHT GUIDE).