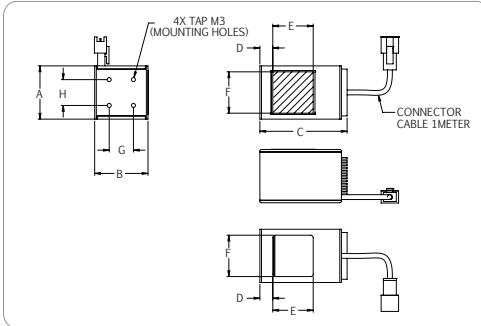
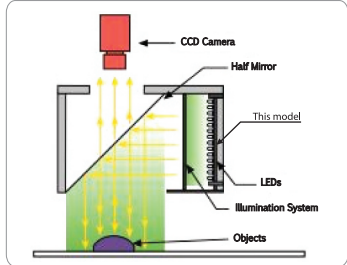


# Coaxial Illumination

## CASC SERIES - Even Co-axial Light

CASC series provide co-axial illumination for high magnification tele-centric lenses. The lights are reflected by right angle prism cube beam splitter to provide light in line with the camera.

Application: surface inspection and alignment, wafer, metal surface, film, LCD and glass, pattern on PCB.



**Technical Specification:**

- Color Red, Green, Blue and White
- 24V DC Input Power
- Continuous and Strobe Applications
- Compact Size
- Lighting Cable 500mm

**Customize Lighting:**

- Customize Sizes, Mounting requirements
- Color and Voltage Available
- Consult Technical Sales for More Information

| Model           | Dimensions (MM) |      |      |     |      |      |      |      | TAP HOLE | Color              | Voltage / Watt             | Current        | Weight (g) |
|-----------------|-----------------|------|------|-----|------|------|------|------|----------|--------------------|----------------------------|----------------|------------|
|                 | A               | B    | C    | D   | E    | F    | G    | H    |          |                    |                            |                |            |
| CASC-00-025-X-X | 33.0            | 33.0 | 54.0 | 8.0 | 25.0 | 25.6 | 15.0 | 16.0 | M3       | ● ● ● ●<br>● ● ● ● | 24V / 3.60W<br>24V / 3.84W | 150mA<br>160mA | 130        |

### Optional Connector

Standard Lighting Male Connector

|       |     |
|-------|-----|
| PIN 1 | 24V |
| PIN 2 | -   |
| PIN 3 | GND |

M8 Male Connector

M8 Pin Assignment

|       |       |     |
|-------|-------|-----|
| PIN 1 | -     | -   |
| PIN 2 | RED   | 24V |
| PIN 3 | -     | -   |
| PIN 4 | BLACK | GND |

M12 Male Connector

M12 Pin Assignment

|       |       |     |
|-------|-------|-----|
| PIN 1 | BROWN | 24V |
| PIN 2 | WHITE | -   |
| PIN 3 | BLUE  | GND |
| PIN 4 | BLACK | -   |
| PIN 5 | GRAY  | -   |

Product Part Numbering System :  
CASC-00-025-X-X-24V-M8

Product Part Numbering System :  
CASC-00-025-X-X-24V-M12