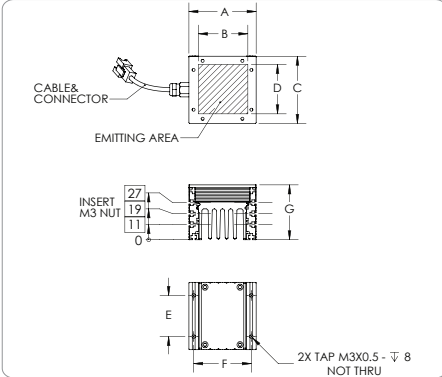
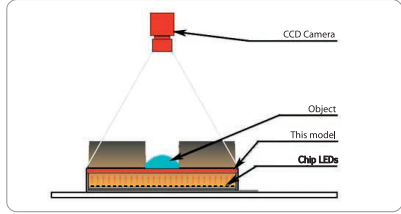
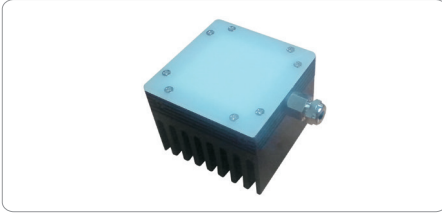


2017 Backlight Illumination

BHH SERIES - High Power Back Light

BHH series is a high power backlight which LED are arranged in a dense array and shine into a diffuser. It is suitable to use in high speed application.

Application: lead frame inspection, shape recognition, size measurement.



Technical Specification:

- Color Red, Green, Blue and White
- 24V DC Input Power
- Continuous and Strobe Applications
- Compact Size
- Lighting Cable 500mm

Customize Lighting:

- Customize Sizes, Mounting requirements
- Color and Voltage Available
- Consult Technical Sales for More Information

Model	Dimensions (MM)							Color	Voltage / Watt	Current	Weight (g)
	A	B	C	D	E	F	G				
BHH-00-035-X-X	49.0	35.0	49.0	35.0	30.0	42.0	40	●●○	24V / 3.60W	150mA	135
BHH-00-070-X-X	84.0	70.0	84.0	70.0	65.0	77.0	40	●●○	24V / 14.40W	600mA	380

Optional Connector

Standard Lighting Male Connector

PIN 1	24V
PIN 2	-
PIN 3	GND

M8 Male Connector

M8 Pin Assignment

PIN 1	-	-
PIN 2	RED	24V
PIN 3	-	-
PIN 4	BLACK	GND

M12 Male Connector

M12 Pin Assignment

PIN 1	BROWN	24V
PIN 2	WHITE	-
PIN 3	BLUE	GND
PIN 4	BLACK	-
PIN 5	GRAY	-

Product Part Numbering System :
BHH-00-035-X-X-24V-M8

Product Part Numbering System :
BHH-00-035-X-X-24V-M12