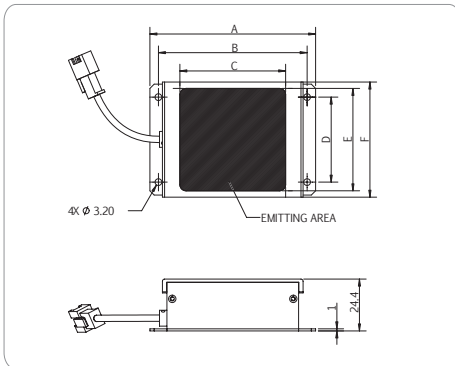
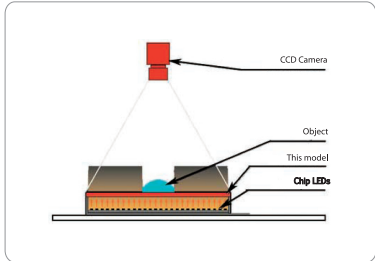
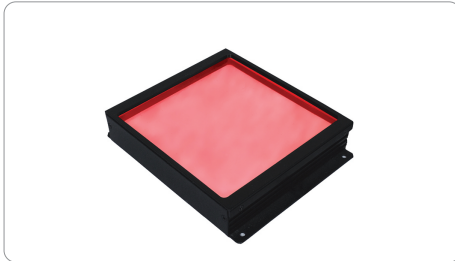


2017 Backlight Illumination

BHC SERIES - High Intensity Collimated Back Light

BHC series is a collimated backlight which LED are arranged in a dense array and shine into a diffuser. The even light shines from the diffuser provides area illumination.

Application: lead frame inspection, shape recognition, size measurement.



Technical Specification:

- Color Red, Green, Blue and White
- 24V DC Input Power
- Continuous and Strobe Applications
- Compact Size
- Lighting Cable 500mm

Customize Lighting:

- Customize Sizes, Mounting requirements
- Color and Voltage Available
- Consult Technical Sales for More Information

Model	Dimensions (MM)						Color	Voltage / Watt	Current	Weight (g)
	A	B	C	D	E	F				
BHC-00-050-X-X	78.0	70.0	49.8	40.0	48.0	54.0	● ● ● ○	24V / 2.40W 24V / 3.60W	100mA 150mA	120
BHC-00-080-X-X	108.0	100.0	79.8	70.0	78.0	84.0	● ● ● ○	24V / 6.00W 24V / 4.80W	250mA 200mA	220
BHC-00-100-X-X	128.0	120.0	99.8	90.0	98.0	104	● ● ● ○	24V / 9.12W 24V / 6.84W	380mA 285mA	300

Optional Connector

Standard Lighting Male Connector

PIN 1	24V
PIN 2	-
PIN 3	GND

M8 Male Connector

M8 Pin Assignment

PIN 1	-	-
PIN 2	RED	24V
PIN 3	-	-
PIN 4	BLACK	GND

M12 Male Connector

M12 Pin Assignment

PIN 1	BROWN	24V
PIN 2	WHITE	-
PIN 3	BLUE	GND
PIN 4	BLACK	-
PIN 5	GRAY	-

Product Part Numbering System :
BHC-00-050-X-X-24V-M8

Product Part Numbering System :
BHC-00-050-X-X-24V-M12